



**ADVANCEFUEL**

# **INNOVATIVE LIGNOCELLULOSIC BIOMASS CROPPING SYSTEMS AND SUPPLY CHAINS**

## **Workshop - Introduction**

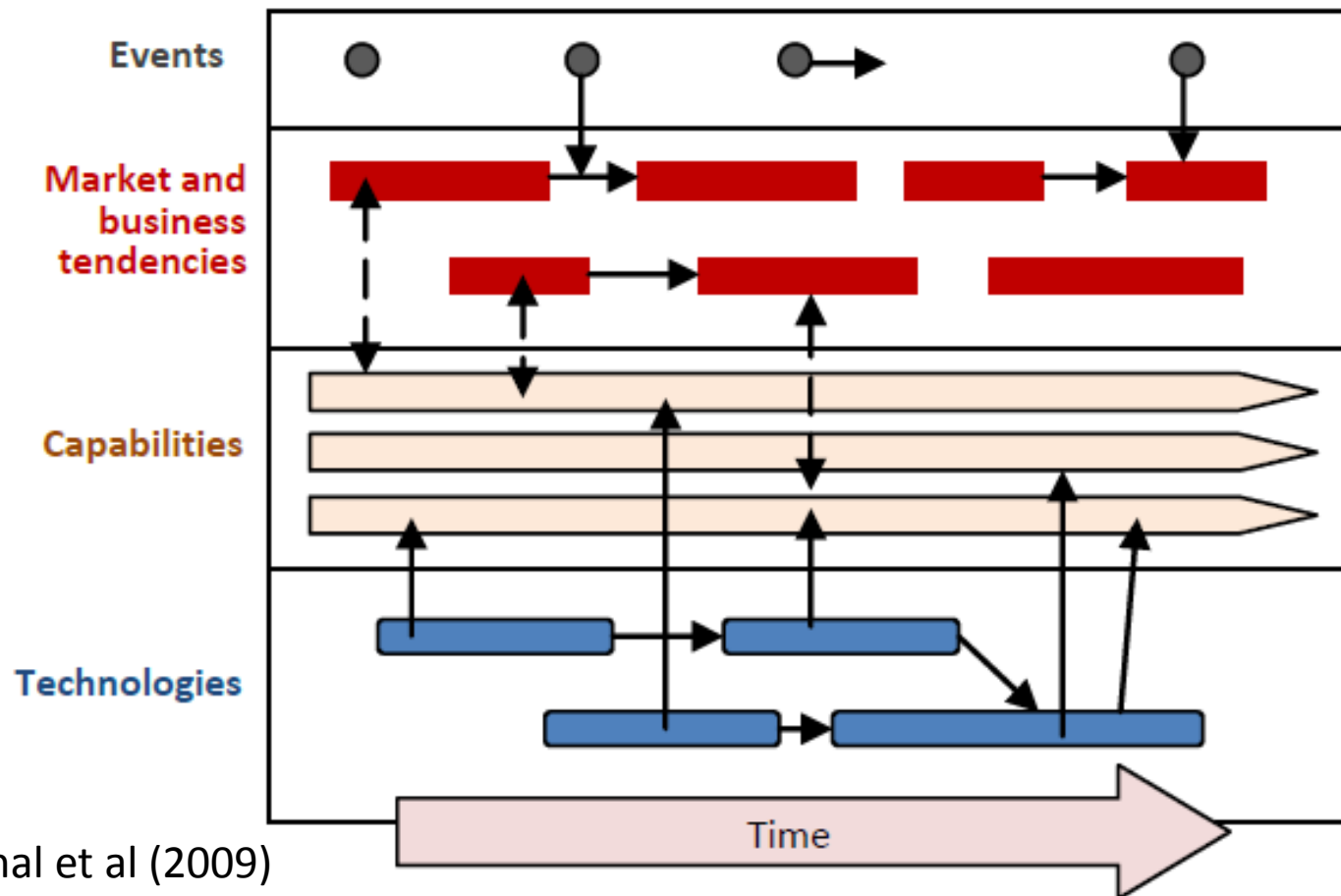
Philipp Grundmann, ATB  
Brussels, 20.11.2018

## Workpackage 2

# Upgraded lignocellulosic feedstock supply chains for advanced liquid biofuels

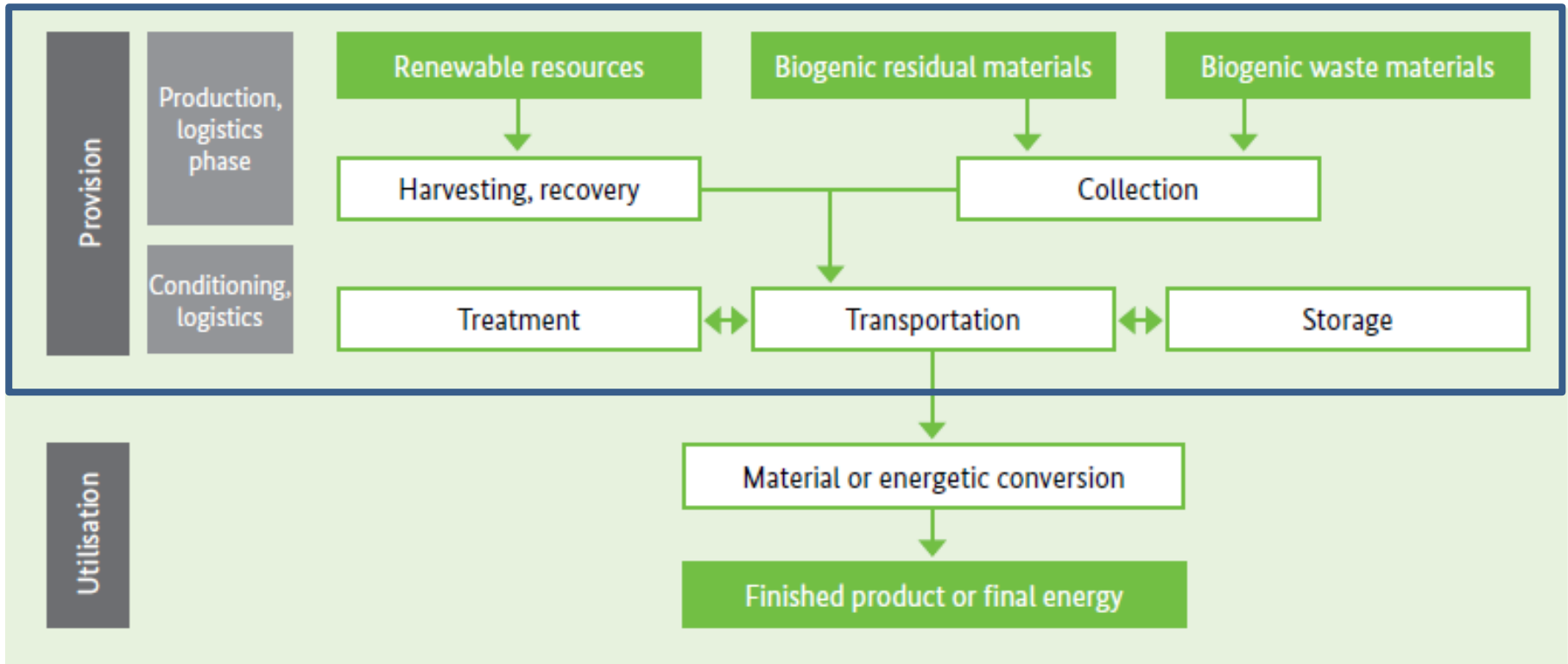


# Understanding Interdependences for Development



Bernal et al (2009)

# Boundaries: Biomass Supply Chain



D2.1 - Report on lignocellulosic feedstock availability, market status and suitability for RESfuels

- Task 2.1

**State-of-the-art** of lignocellulosic feedstocks for advanced biofuels with respect to supply, suitability and status

D2.2 – Innovative crop rotation schemes

- Task 2.2

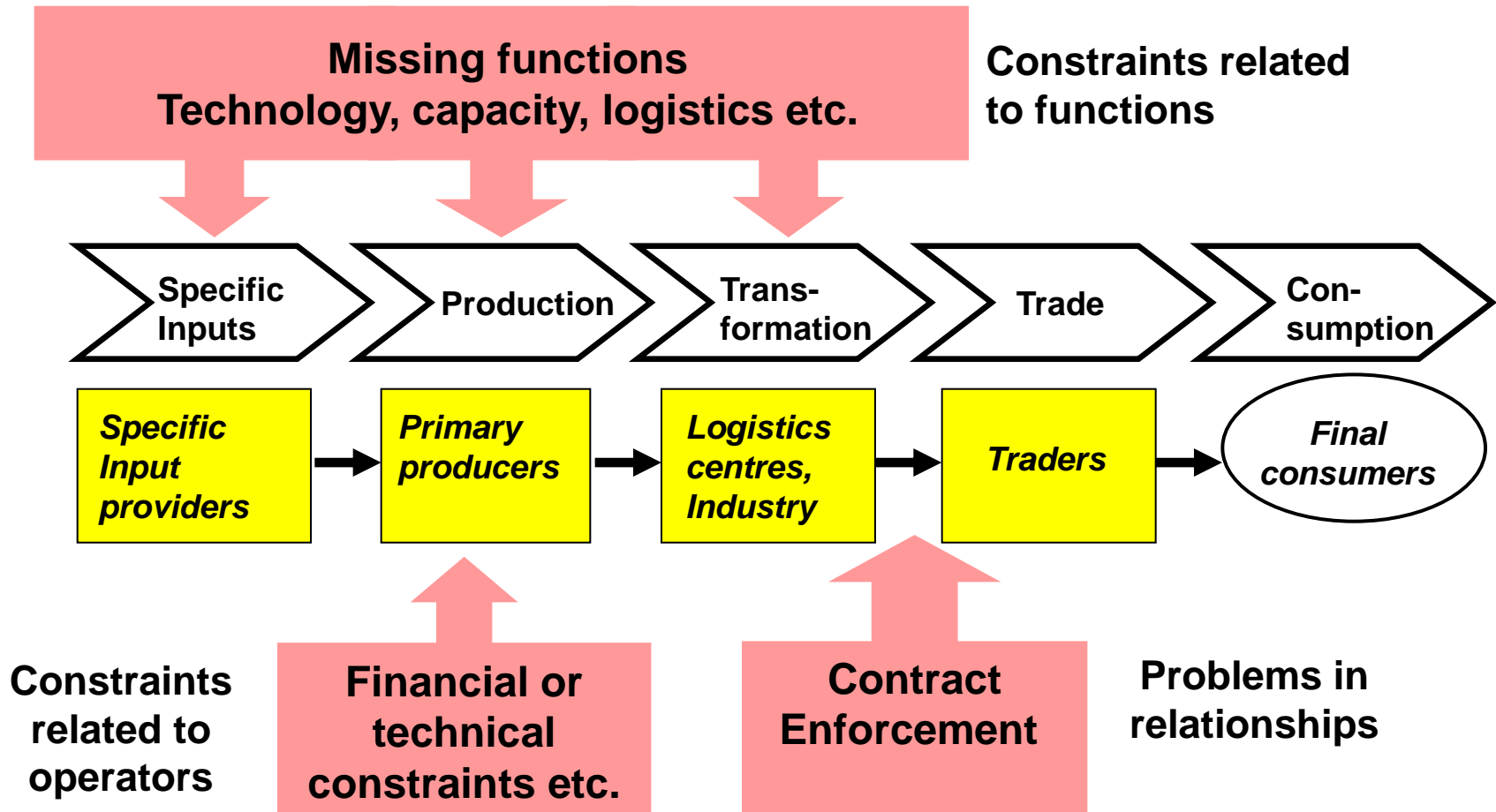
Development of **innovative crop rotation schemes** for the production of lignocellulosic feedstock for advanced liquid biofuels with improved sustainability

D2.3 – Technology roadmaps and upgrading strategies for lignocellulosic feedstock supply chains

- Task 2.3

**Upgrading strategies** for lignocellulosic feedstock supply chains

# Supply Chain Upgrading



GIZ (2016); Hartmann and Grundmann (2015)



# Workshop Agenda



14:00 – 14:10

Welcome & Introduction to the ADVANCEFUEL Workshop  
Philipp Grundmann, ATB, Germany

14:10 – 14:20

Introduction to the ADVANCEFUEL project  
Kristin Sternberg, FNR, Germany

14:20 – 15:00

**Innovative cropping schemes**  
**Presentations: Highlights from study cases on marginal land**

FORBIO: Cosette Khawaja, WIP, Germany

MAGIC: Efi Alexopoulou, Center for Renewable Energy Sources (CRES), Greece

15:00 – 15:20

*COFFEE BREAK*

15:20 – 16:00

**Innovative cropping schemes**  
**Presentations: Highlights from study cases on marginal land**

BECOOOL: Walter Zegada-Lizarazu, University of Bologna, Italy

LIBBIO: Rob van Haren, Hanze University of Applied Sciences, the Netherlands & Irmgard Starmann, Color&Brain, The Netherlands



# Workshop Agenda



16:00 – 17:30

## **Interactive Session 1**

*(with all participating project partners and stakeholders)*

***Cost reduction potentials versus environmental impacts***

Chair: Sonja Germer, ATB, Germany

17:30 – 20:30

**Evening reception**

## **ADVANCEFUEL - SEEMLA WORKSHOP AGENDA**

**21<sup>st</sup> November 2018**

8:30 - 14:00

**Welcome coffee - 8:30**

9:00 – 09:40

## **Innovative lignocellulosic supply chains**

**Presentations: Highlights from supply chains practices**

UP-RUNNING: Adeline Rezeau or Daniel Garcia Galindo, CIRCE, Spain

GRACE: Moritz Wagner, University Hohenheim, Germany





# Workshop Agenda



9:40 – 10:40

## **Interactive Session 2**

*(with all participating project partners and stakeholders)*

### **Success stories & failures regarding biomass supply chains**

Chairs: Philipp Grundmann, ATB, Germany & Katharina Sailer, ATB, Germany

10:40 – 11:00

*COFFEE BREAK*

11:00 – 12:20

## **Interactive Session 3**

### **Feedstock for advanced biofuels: Market opportunities & Constraints**

*(with all participating project partners and stakeholders)*

Chairs: Philipp Grundmann, ATB, Germany & Katharina Sailer, ATB, Germany

**12:20 – 14:00 LUNCH**

